



**Global company.
Dedicated employees.
Reliable products.**

There is a lot more to Doosan.

Doosan Tower
Doosan corporate office
Seoul, South Korea



Doosan Industrial Vehicle America Corp.
2905 Shawnee Industrial Way
Suwanee, GA 30024
P: 770-831-7700
F: 770-831-2250
E: dia.doosanlift@doosan.com
www.doosanlift.com

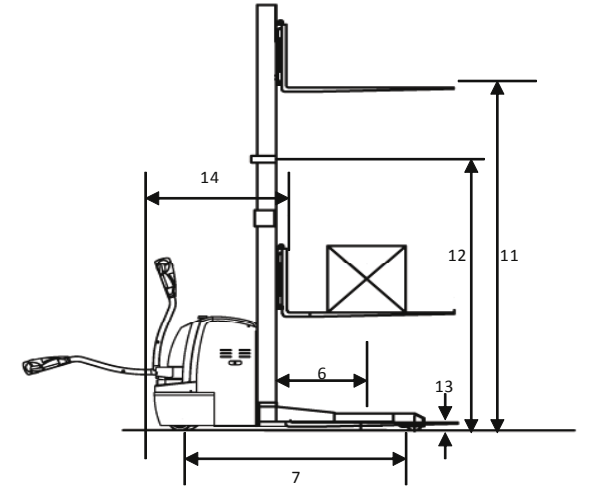
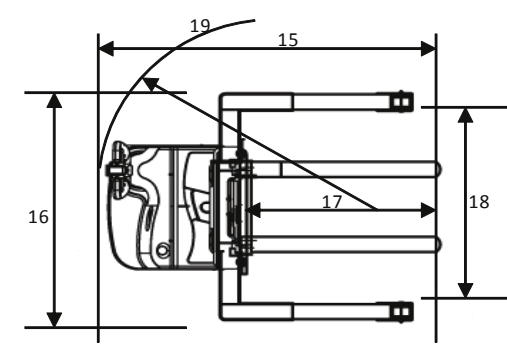


Walkie Pallet Trucks & Stackers

3,300 lb to 6,500 lb Capacity
BWS17S-7/BW23S-7/BWR33S-7



DOOSAN BWS17S-7 WALKIE STACKER



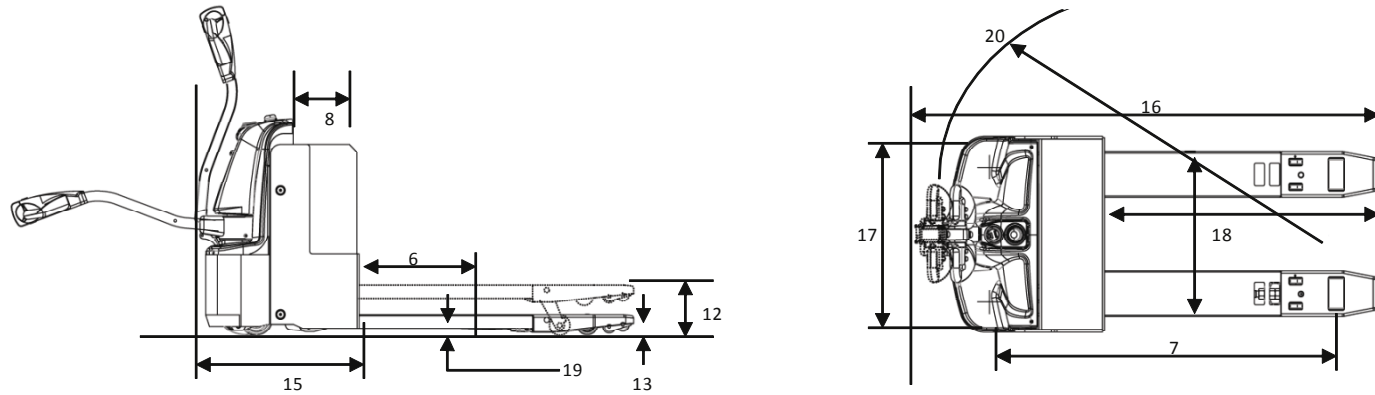
1	Manufacturer	Doosan	12	OAL Height	in (mm)	90 (2,295)
2	Model	BWS17S-7	13	Lowered Fork Height	in (mm)	2 (50)
3	Power	24V Electric AC	14	Length of Face of Forks	in (mm)	34.5 (892)
4	Type	Walkie Stacker	15	Overall Length	in (mm)	76.96 (1,955)
5	Capacity @ 24" LC	lbs (kg)	16	Overall Width	in	44.96/60.31
6	Load Center	in (mm)	17	Fork Dimensions	in	1.6 x 4 x 42
7	Wheelbase	in (mm)	18	Base Leg Max I.D.	in (mm)	35 - 51 (889 - 1,295)
8	Service Weight without Battery	in (mm)	19	Turning Radius	in (mm)	64.56 (1,640)
9	Battery Weight	lbs (kg)	20	Travel Speed	mph (kph)	3.7 (6.0)
10	Drive Tire	in (mm)	21	Service Brake		Electro-Magnetic
11	Lift Height	in (mm)				

OPTIONS

	Doosan BW23S-7 Walkie Pallet Truck	Doosan BWR 33S-7 Walkie Rider Truck	Doosan BWS17S-7 Walkie Stacker Truck
AC Drive Motor	STD	STD	STD
AC Power Steer Motor		STD	
Ergonomic Control Handle	STD	STD	STD
Curtis AC Controller	STD	STD	STD
Poly Drive Tire	STD	STD	STD
CAN Bus Technology	STD	STD	STD
Hour Meter/BDI	STD	STD	STD
Low Speed Switch	STD	N/A	STD
Battery Pack with Built in Charger	STD		STD
Pallet Entry Rollers	STD	STD	
48" Load Back Rest	OPTIONAL	STD	OPTIONAL
36" Load Back Rest	OPTIONAL	OPTIONAL	OPTIONAL
60" Load Back Rest	OPTIONAL	OPTIONAL	
Spring Loaded Casters	OPTIONAL	STD	STD
106" Mast Height			OPTIONAL
130" Mast Height			STD
145" Mast Height			OPTIONAL
Operator Storage Compartment		STD	STD
Battery Rollers (Roll Out Tray - BWS)		STD	STD
27" x 48" Forks	STD	STD	
27" x 42" Forks	OPTIONAL	OPTIONAL	
27" x 60" Forks	OPTIONAL	OPTIONAL	
27" x 72" Forks	OPTIONAL	OPTIONAL	
1.6" x 4" x 42" ITA Forks			STD
1.6" x 4" x 45" ITA Forks			OPTIONAL
Torsion Bar Suspension		STD	

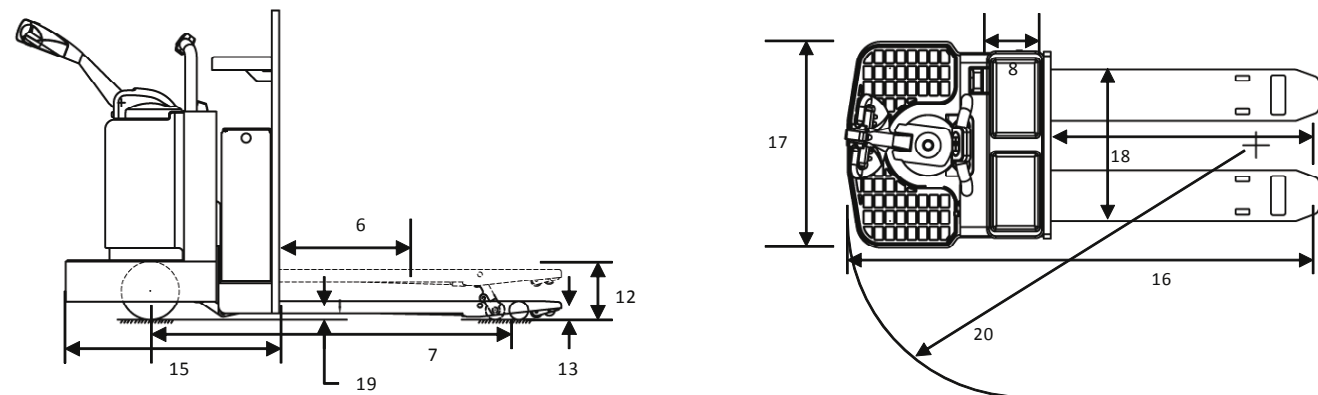


DOOSAN BW23S-7 WALKIE PALLET



1	Manufacturer		Doosan	12	Max Fork Height	in (mm)	7.95 (202)
2	Model		BW23S-7	13	Fork Lowered Height	in (mm)	3.23 (82)
3	Power		24V Electric AC	14	Recommended Aisle Width	in (mm)	84.05 (2,135)
4	Type		Walkie Pallet	15	Length of Face of Forks	in (mm)	21.85 (555)
5	Capacity @ 24" LC	lbs (kg)	4,500 (2,045)	16	Overall Length	in (mm)	69.88 (1,775)
6	Load Center	in (mm)	24 (600)	17	Overall Width	in (mm)	30.51 (775)
7	Wheelbase	in (mm)	52.4 (1,331)	18	Fork Dimensions	in (mm)	27 x 48 (686 x 1,220)
8	Battery Compartment Length	in (mm)	7.9 (200)	19	Ground Clearance	in (mm)	1.1 (28)
9	Battery Weight	lbs (kg)	375 (170)	20	Turning Radius	in (mm)	64.96 (1,650)
10	Battery Conn/Lead/Position	in (mm)	SB175 Red/B	21	Travel Speed	mph (kph)	3.7 (6.0)
11	Drive Tire	in (mm)	10 x 3 (250 x 70)	22	Service Brake		Electro-Magnetic

DOOSAN BWR33S-7 WALKIE RIDER PALLET



1	Manufacturer		Doosan	12	Max Fork Height	in (mm)	8.66 (220)
2	Model		BWR33S-7	13	Fork Lowered Height	in (mm)	3.23 (82)
3	Power		24V Electric AC	14	Recommended Aisle Width	in (mm)	92.24 (2,343)
4	Type		Walkie Rider Pallet	15	Length of Face of Forks	in (mm)	36.33 (923)
5	Capacity @ 24" LC	lbs (kg)	6,500 (3,000)	16	Overall Length	in (mm)	84.37 (2,143)
6	Load Center	in (mm)	24 (600)	17	Overall Width	in (mm)	36.85 (936)
7	Wheelbase	in (mm)	58.7 (1,491)	18	Fork Dimensions	in (mm)	27 x 48 (686 x 1,220)
8	Battery Compartment Length	in (mm)	13.2 (335)	19	Ground Clearance	in (mm)	1.06 (27)
9	Battery Weight	lbs (kg)	662 (300)	20	Turning Radius	in (mm)	77.16 (1,860)
10	Battery Connection/Lead/Position	in (mm)	SB175 Red/B	21	Travel Speed	mph (kph)	6.8 (10.9)
11	Drive Tire	in (mm)	10 x 4 (250 x 100)	22	Service Brake		Electro-Magnetic



We Are Doosan. Respected Name, Strong Ties, Reliable Products.

Doosan, founded in 1896, has evolved into is a multi-faceted corporation employing more than 38,000 people in 33 different countries. This diverse group of highly-skilled individuals have helped make Doosan a dominate presence in the global marketplace.

Doosan offers a wide array of products and services to meet consumers' needs. We are involved in the development of power generation and desalination plants, major construction projects, engine development, and construction equipment manufacturing.

Doosan began producing forklifts almost 50 years ago and today is a successful global player in the material handling industry. We offer over 140 models, produced in four manufacturing plants with a production total of over 400,000 units.

Our goal is to offer simple, powerful, and performance-enhanced products while helping customers achieve their bottom lines. We have won numerous technology design awards which have allowed us to expand our influence worldwide to include a network of over 400 dealers in more than 100 countries.

Doosan remains dedicated to its focus of providing customers with reliable and cost effective material handling products to meet their many operating needs.



Application Chart						
Low Level Order Picking			Walkie Rider			
Transporting	Manual Pallet	Walkie Pallet	Walkie Rider	Electric Sitdown	LPG Sitdown	Diesel Sitdown
Storage Stacking		Walkie Stacker		Electric Sitdown	LPG Sitdown	Diesel Sitdown

WALKIE TRUCKS

Manual Pallet Truck
5,500 lb capacity

Walkie Pallet Truck
4,500 lb capacity

Walkie Rider Pallet Truck
6,500 lb capacity

Walkie Stacker Truck
3,300 lb capacity

Technology That Works

Curtis solid state controllers provide smooth acceleration and seamless directional control. Its **Regenerative Braking** feature adds energy back to the battery to improve efficiency.



Power and Performance

With **AC Power**, you will benefit from faster acceleration, more torque, higher efficiency, and lower maintenance costs due to the brush-less design.



Complementary Products

Doosan manufactures a wide range of quality products utilizing the latest technology and safety features.

Doosan's powered Walkie, Walkie Rider, and manual pallet trucks provide excellent mobility and increased return on your investment over larger more expensive units.

Combined with our Electric, LPG, and Diesel powered forklifts, Doosan's forklift products will bring efficiency to your operation, increasing your overall productivity.

SITDOWN FORKLIFTS



4-wheel, LPG cushion tire
3,000 - 6,500 lb capacity



4-wheel, LPG/Diesel pneumatic tire
3,000 - 36,000 lb capacity



3-wheel, Electric cushion tire
2,500 - 4,000 lb capacity



4-wheel, Electric cushion tire
3,000 - 6,500 lb capacity

INCREASED PRODUCTIVITY



LOADED WITH PLENTY OF FEATURES
THEY'RE GUARANTEED TO ADD TO
YOUR BOTTOM LINE

Easy Maintenance

All Doosan Powered Walkie trucks come standard with an Hour Meter/Battery Discharge Indicator to keep track of hours used and reserve battery power at a glance.



Operator Friendly

A convenient storage compartment is included on our Walkie Rider/Walkie Stacker trucks to hold those items that the operator needs to get the job done.

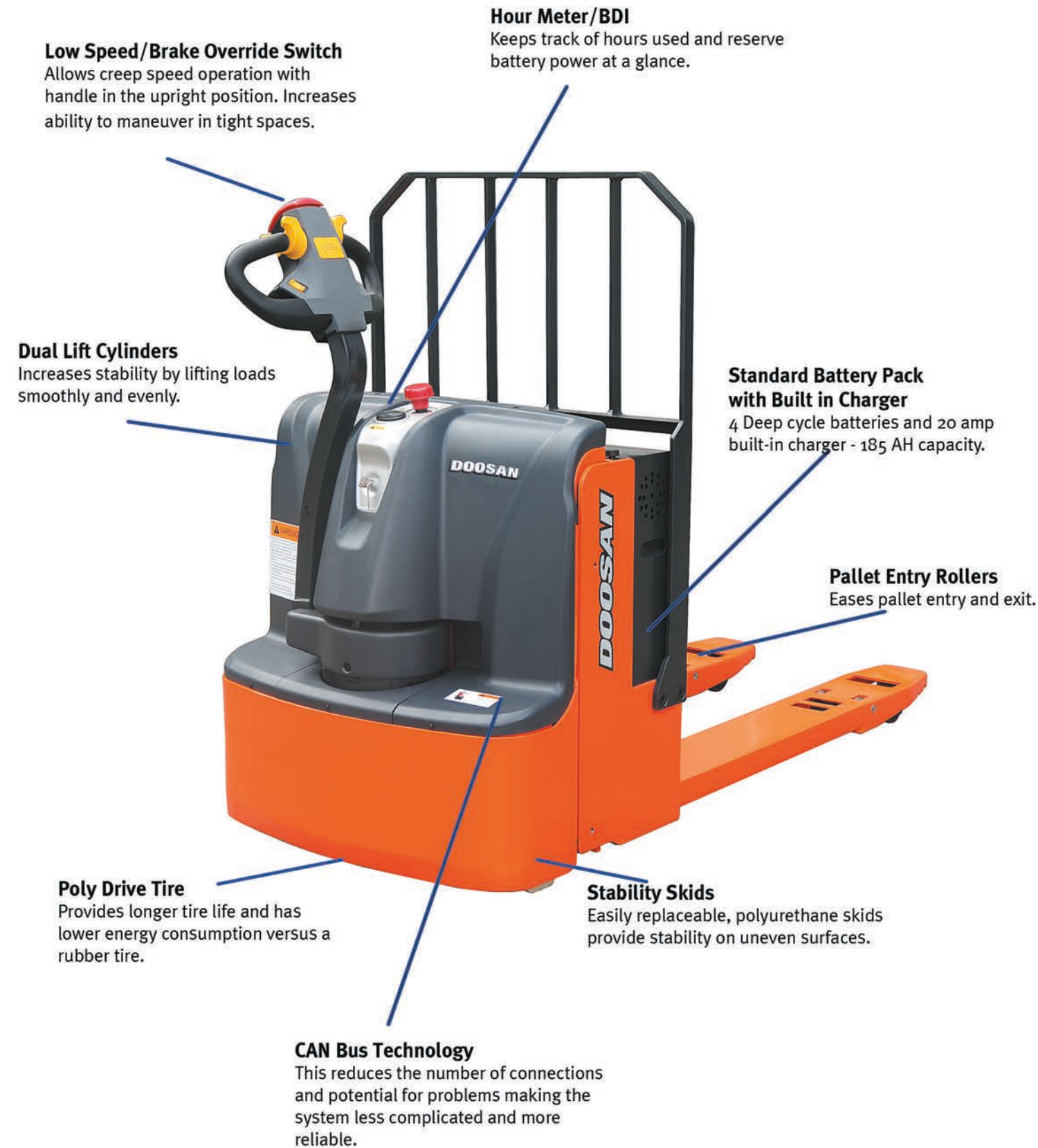


Ergonomically designed control handle for all day comfort.



GET
MORE
FOR YOUR MONEY

BW23S-7 Walkie Pallet Truck



BWR33S-7 Walkie Rider Pallet Truck



BWS17S-7 Walkie Stacker Pallet Truck

